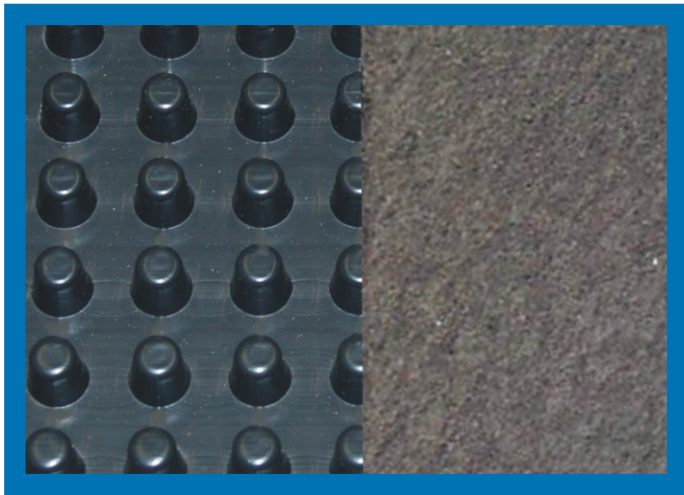


J-DRain® 400

Prefabricated Drainage Composites



APPLICATIONS:

FOUNDATION WALLS

RETAINING WALLS

PLANTERS & ROOF GARDENS

BRIDGE ABUTMENTS

UNDER SLABS

J-DRain® 400 Series

J-DRain 400 Series:

Performs a multi-faceted role by providing protection for waterproofing systems and managing subsurface water around building foundations. Soil backfill is retained while allowing water to pass into the drainage system providing hydrostatic relief. Collected water is then conveyed to **J-DRain SWD-6** or **SWD 12** collection systems.

Consists of a impermeable polymeric sheet cusped under heat and pressure to form a high flow dimpled drainage core. The core is then bonded to a layer of nonwoven filter fabric. The filter fabric retains soil or sand particles as well as freshly placed concrete or grout, allowing filtered water to pass into the drainage core.

J-DRain® 400 / 420*

Maintains a very high flow rate while providing a higher compressive strength for greater depths. A very popular choice for vertical and horizontal single sided drainage applications. Moderate duty.

J-DRain® 400 XL / 420 XL*

Designed for extra heavy duty vertical and horizontal applications that demand greater compressive strength and improved filtration for challenging soil conditions. Heavier duty drain core & fabric.

*420 & 420 XL are identical to 400 & 400 XL with the addition of a membrane protective film on the back side.

info@j-drain.com

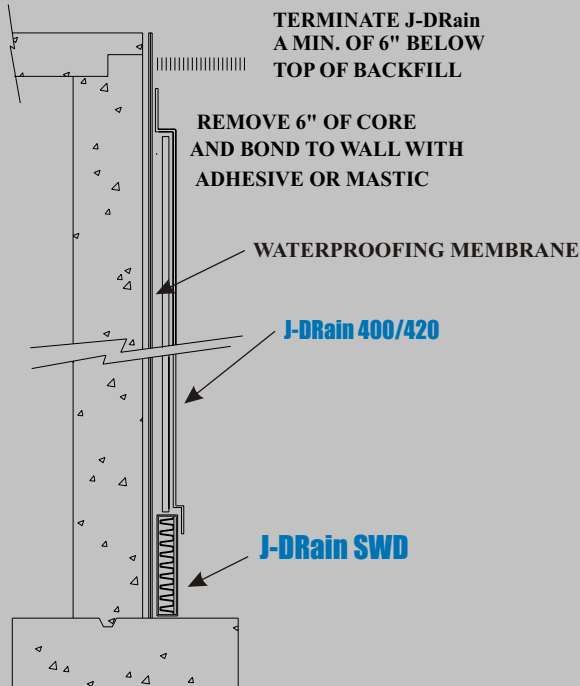
www.j-drain.com

JDR Enterprises, Inc.

292 S. Main St., Suite 200 Alpharetta, GA 30009
(800) 843-7569 (770) 442-1461 Fax: (770) 664-7951

J-DRain[®] 400

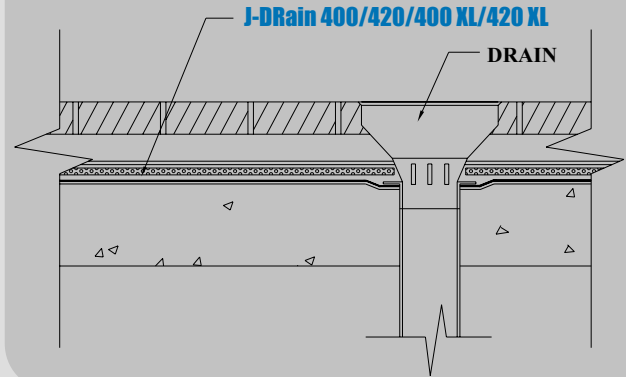
Prefabricated Drainage Composites



APPLICATIONS:

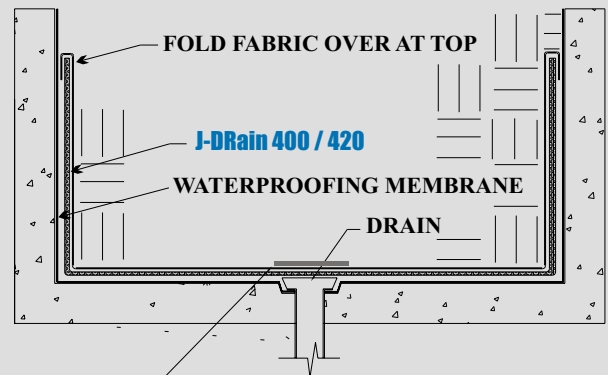
FOUNDATION WALL / RETAINING WALL

APPLICATION: PLAZA DECKS



APPLICATIONS:

PLANTERS & ROOF GARDENS



NOTE: When using J-DRain 400 & 420 cut and remove drainage core and cover with an aluminum plate as shown.

Physical Properties

Core

Fabric

| | 400/420 | 400XL/420XL | | | |
|--|------------------------------------|------------------------------------|------------|--------------|--------------|
| Compressive Strength (ASTM D-1621) | 15,000 psf (719 kNm ²) | 16,500 psf (790 kNm ²) | | | |
| Thickness (ASTM D-1777) | .40 in. (10.16 mm) | .40 in. (10.16 mm) | | | |
| Flow (Hydraulic gradient =1) (ASTM D-4716) | 21 g/min/ft (260 L/min/m) | 21 g/min/ft (260 L/min/m) | | | |
| Roll Length | Roll Weight (approx. lbs.) | | | | |
| | Roll Width | 400 | 420 | 400XL | 420XL |
| 50 ft (15.24 m) | 4 ft (1.22 m) | 39 | 40.5 | 45 | 46.5 |
| | 6.5 ft (1.98 m) | 63 | 65.5 | 73 | 75.5 |
| | 8.5 ft (2.59 m) | 82 | 85 | 95 | 98 |

| | 400/420 | 400XL/420XL |
|----------------------------|--|--|
| Flow (ASTM D-4491) | 140 gal/min/ft ² (5704 L/min/m ²) | 110 gal/min/ft ² (4482 L/min/m ²) |
| Puncture (ASTM D-4833) | 65 lbs. (.30 kN) | 95 lbs. (.42 kN) |
| AOS (EOS) | 70 U.S. Sieve (.212 mm) | 70 U.S. Sieve (.212 mm) |
| Grab Tensile (ASTM D-4632) | 100 lbs. (.45 kN) | 160 lbs. (.71 kN) |

The information contained herein is believed by JDR Enterprises, Inc. to be accurate and is offered solely for the customer's consideration, investigation and verification. Determination of suitability for use is the responsibility of the user.

info@j-drain.com

www.j-drain.com

JDR Enterprises, Inc.

292 S. Main St., Suite 200 Alpharetta, GA 30009
 (800) 843-7569 (770) 442-1461 Fax: (770) 664-7951