

# J-DRain<sup>®</sup> 300 series

## Prefabricated Drainage Composites



### APPLICATIONS:

FOUNDATION WALLS  
 RETAINING WALLS  
 PLANTERS & ROOF GARDENS  
 BRIDGE ABUTMENTS  
 UNDER SLABS

## J-DRain<sup>®</sup> 300 / 302 / 1000

**J-DRain 300, J-DRain 302, and J-DRain 1000** consists of an HDPE geonet drainage core with a filter fabric bonded to one or both sides. The geonet drainage core is literally crush proof, yet flexible enough to conform to irregular surfaces. Because of their crushproof nature, geonet drainage composites can be used in the most extreme cases with heavy loads and/or heavy vehicular traffic.

### J-DRain<sup>®</sup> 300

Consists of a heavy duty high density polyethylene geonet drainage core with its ridges heat fused to a layer of non-woven filter fabric. The filter fabric retains soil or sand particles as well as freshly placed concrete or grout, allowing filtered water to pass through to the drainage core. J-DRain 300 provides drainage from one side only.

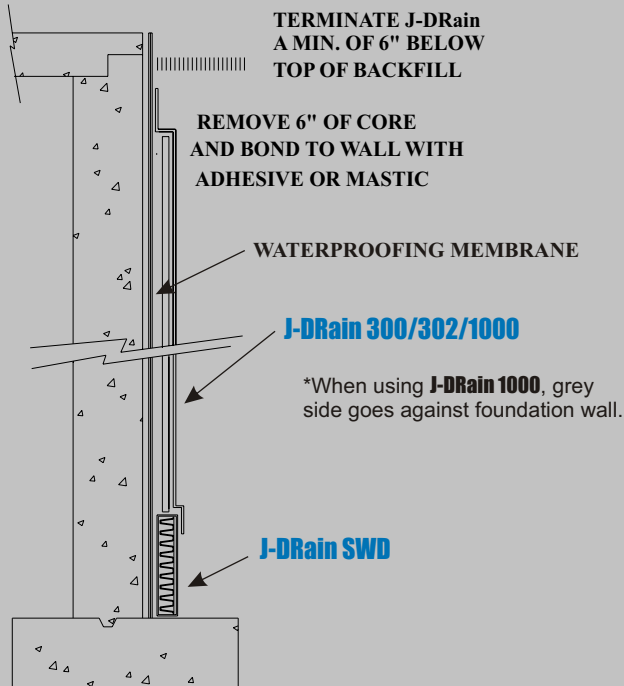
### J-DRain<sup>®</sup> 302

Identical to J-DRain 300 in physical properties with the addition of a layer of filter fabric to the back side providing drainage and filtration from both sides.

### J-DRain<sup>®</sup> 1000:

Identical to J-DRain 300 in physical properties with the addition of a layer of heavy duty grey fabric bonded to the back side providing protection and cushion for waterproofing systems requiring a protection layer.

# J-DRain<sup>®</sup> 300 series

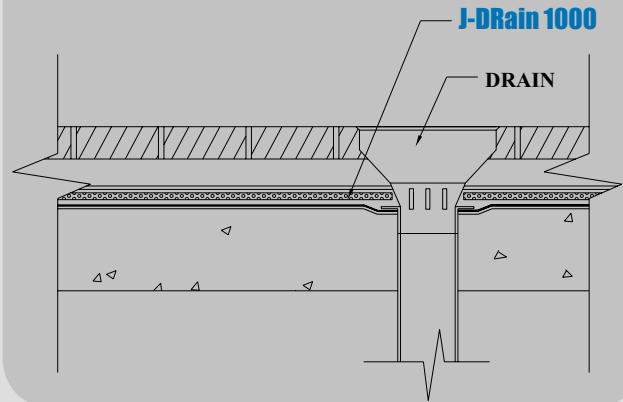


## APPLICATIONS:

FOUNDATION WALL / RETAINING WALL

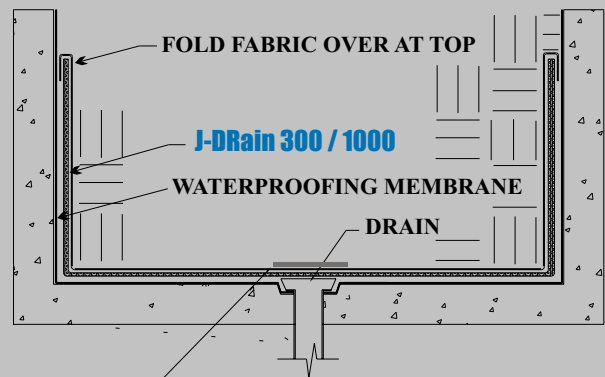
## APPLICATION:

PLAZA DECKS & SPLIT SLABS WITH VEHICULAR TRAFFIC



## APPLICATIONS:

PLANTERS & ROOF GARDENS



NOTE: When using J-DRain 1000, cut and remove bottom layer of (grey) fabric so water can pass into drain.

## Physical Properties

### Core

Compressive Strength (ASTM D-1621)	40,000 psf (1,917 kNm <sup>2</sup> )	
Thickness (ASTM D-1777)	.22 in. (5.6 mm)	
Flow (Hydraulic gradient =1) (ASTM D-4716)	8.5 g/min/ft (106 L/min/m)	

	300	302	1000
Roll Width	4 ft (1.22 m)	4 ft (1.22m)	4 ft (1.22m)
Roll Length	75 ft (22.86m)	75 ft (22.86m)	50 ft (15.24m)
Roll Weight	70 lbs.	80 lbs.	55 lbs.

### Fabric

	300 / 302 (2 sides) / 1000 (front)	1000 (grey back)
Flow (ASTM D-4491)	135 gal/min/ft <sup>2</sup> (5500 L/min/m <sup>2</sup> )	110 gal/min/ft <sup>2</sup> (4477 L/min/m <sup>2</sup> )
Puncture (ASTM D-4833)	65 lbs. (.30 kN)	95 lbs. (.42 kN)
AOS (EOS)	70 U.S. Sieve (.212 mm)	70 U.S. Sieve (.212 mm)
Grab Tensile (ASTM D-4632)	120 lbs. (.53 kN)	160 lbs. (.71 kN)

The information contained herein is believed by JDR Enterprises, Inc. to be accurate and is offered solely for the customer's consideration, investigation and verification. Determination of suitability for use is the responsibility of the user. Please reference JDR's Disclaimer, Limitations, and Limited Warranty online @ [www.j-drain.com](http://www.j-drain.com).

[info@j-drain.com](mailto:info@j-drain.com)

[www.j-drain.com](http://www.j-drain.com)

# JDR Enterprises, Inc.

292 S. Main St., Suite 200 Alpharetta, GA 30009  
(800) 843-7569 (770) 442-1461 Fax: (770) 664-7951