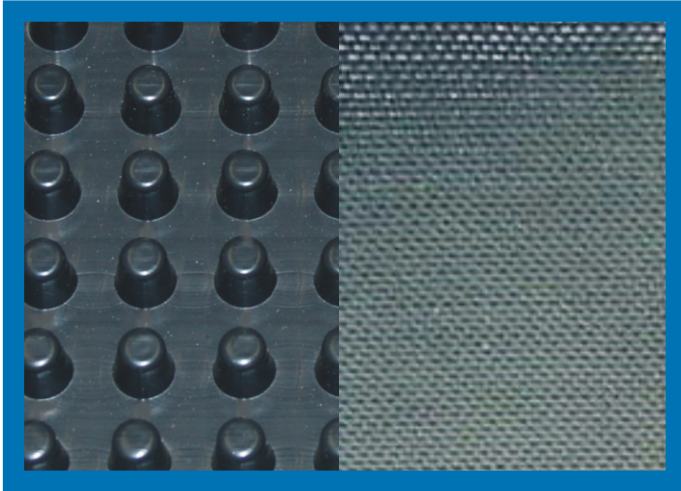


# J-DRain<sup>®</sup> 700

Prefabricated Drainage Composites



## APPLICATIONS:

PLANTERS  
ROOF GARDENS  
PLAZA DECKS  
SPLIT-SLABS

### J-DRain 700 Series:

Performs a multi-faceted role by providing protection for waterproofing systems and collecting excess water in plaza decks, split slabs, planters, roof top gardens, and other horizontal surfaces. Planting soil is retained while allowing water to pass into the drainage core. The collected water is then conveyed to a proper collection system.

## J-DRain<sup>®</sup> 700 Series

### J-DRain<sup>®</sup> 700

Consists of a heavy duty impermeable polymeric cusped sheet under heat and pressure to form a high flow dimpled drainage core. The core is then bonded to a layer of woven filter fabric. The filter fabric retains soil or sand particles as well as freshly placed concrete or grout, allowing filtered water to pass into the drainage core.

### J-DRain<sup>®</sup> 720

The identical properties as **J-DRain 700** with the addition of a protection sheet bonded to the back side of the cusped core providing for soft membrane waterproofing systems. **J-DRain 720** is compatible with waterproofing without the use of a protection board.

### J-DRain<sup>®</sup> 740

Consists of a heavy duty impermeable polymeric cusped sheet identical to **J-DRain 700**, but bonded to a layer of non-woven filter fabric. (4 oz/sq yd)

### J-DRain<sup>®</sup> 780

Consists of a heavy duty impermeable polymeric cusped sheet identical to **J-DRain 700**, but bonded to a layer of non-woven filter fabric. (8 oz/sq yd)

[info@j-drain.com](mailto:info@j-drain.com)

[www.j-drain.com](http://www.j-drain.com)

**JDR Enterprises, Inc.**

292 S. Main St., Suite 200 Alpharetta, GA 30009  
(800) 843-7569 (770) 442-1461 Fax: (770) 664-7951

# J-DRain<sup>®</sup> 700

BRO-700-0498

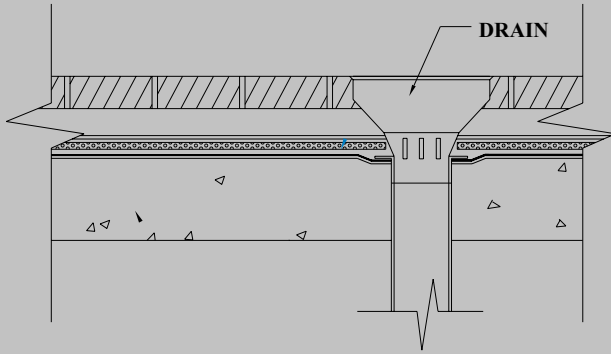
## Prefabricated Drainage Composites



### APPLICATION:

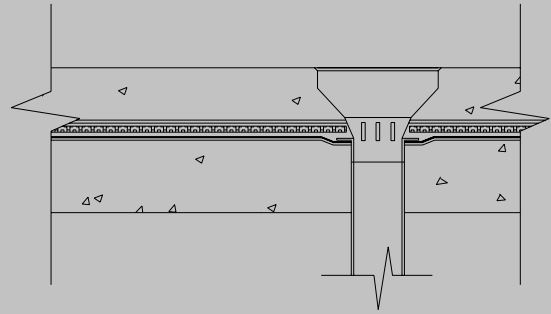
#### PLAZA DECKS

J-DRain 700 / 720



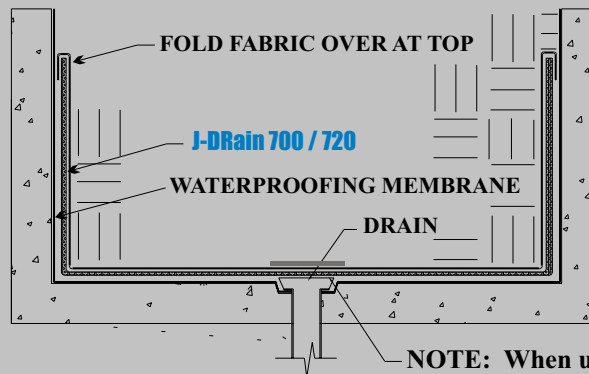
### APPLICATION:

#### SPLIT-SLAB



### APPLICATIONS:

#### PLANTERS & ROOF GARDENS



**NOTE:** When using J-DRain 700 series cut and remove drainage core and cover with an aluminum plate as shown.

## Physical Properties

### Core

Compressive Strength (ASTM D-1621)	21,000 psf	1005 kNm <sup>2</sup>
Thickness (ASTM D-1777)	.40 in.	1.016 cm.
Flow (ASTM D-4716)	21 gpm/ft width	261 lpm/m width
Hydraulic gradient = 1		

Roll Weight	50,100 lbs.	22,44 kgs.
Roll Width	4 , 8.5 ft	1.22 , 2.59 m
Roll Length	50 ft.	15.24 m

### Fabric

	<u>700/720</u>	<u>740</u>	<u>780</u>
Flow (ASTM D-4491)	145 gpm/ft <sup>2</sup> 5907 lpm/m <sup>2</sup>	140 gpm/ft <sup>2</sup> 5704 lpm/m <sup>2</sup>	95 gpm/ft <sup>2</sup> 3866 lpm/m <sup>2</sup>
Puncture (ASTM D-4833)	100 lbs. .44 kN	65 lbs. .30 kN	130 lbs. .58 kN
AOS(EOS) (ASTM D-4751)	40 U.S.Sieve .42 mm	70 U.S.Sieve .21 mm	80 U.S.Sieve .18 mm
Grab Tensile(ASTM D-4632)	365 lbs 1.62 kN	100 lbs .45 kN	205 lbs .90 kN

The information contained herein is believed by JDR Enterprises, Inc. to be accurate and is offered solely for the customer's consideration, investigation and verification. Determination of suitability for use is the responsibility of the user.

[info@j-drain.com](mailto:info@j-drain.com)

[www.j-drain.com](http://www.j-drain.com)

# JDR Enterprises, Inc.

292 S. Main St., Suite 200 Alpharetta, GA 30009

(800) 843-7569 (770) 442-1461 Fax: (770) 664-7951