

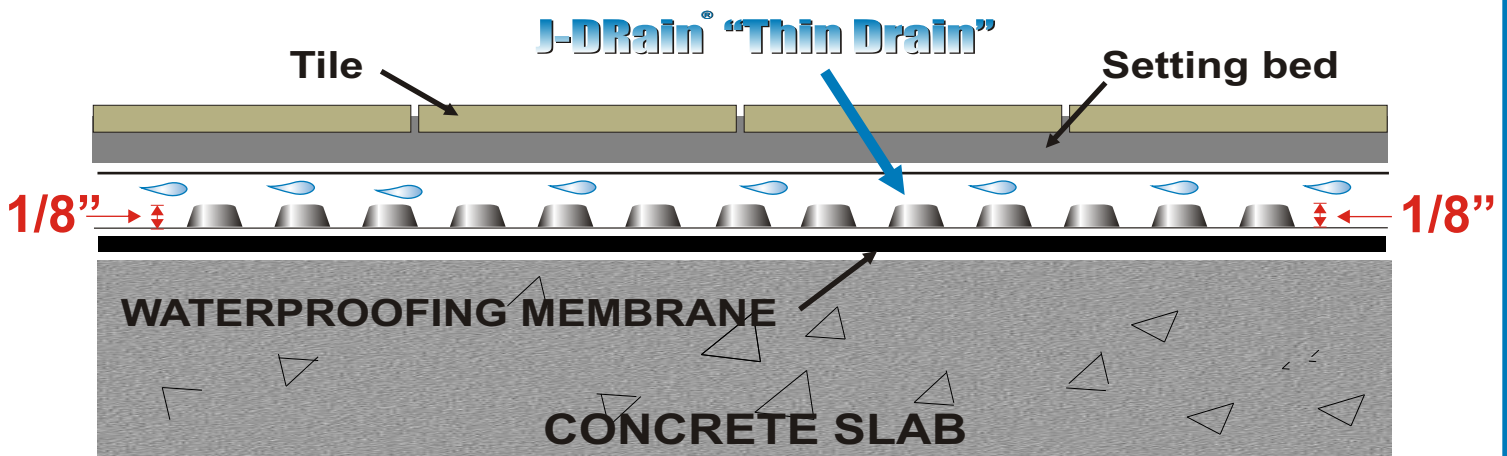
J-DRain® Thin Drain

Under Tile Drainage



Product Description

J-DRain "Thin-Drain" is a 3-dimensional composite drainage system designed for applications that have a limited "height tolerance". Many indoor and outdoor thin-set applications must maintain a limited height tolerance due to door swings or to match up to other floor surfaces. J-DRain "Thin Drain" only adds 1/8" to the total thickness of thin-set application while allowing for the easy collection and removal for water and/or moisture.



info@j-drain.com

www.j-drain.com

JDR Enterprises, Inc.

292 S. Main St., Suite 200 Alpharetta, GA 30009
(800) 843-7569 (770) 442-1461 Fax: (770) 664-7951

J-DRain[®] Thin Drain Under Tile Drainage

Product Applications

- ◆ Outdoor Patios, Decks & Terraces
- ◆ Bathroom floors, Showers, Kitchens, Foyers & Sun rooms
- ◆ Underlayment for carpet applications on concrete floors
- ◆ Horizontal applications with limited height restrictions

Product Features

- ◆ Easy installation
- ◆ Creates air void under tile for drainage
- ◆ Ultra low profile - 1/8" core thickness
- ◆ Protects membrane
- ◆ Made in USA
- ◆ Filter fabric prevents clogging

Approved
Equipment

J-Spray 50 & 50CA Spray Gun
J-Spray 50 & 50CA Hose (available 12 & 25 ft.)
J-Spray 50 & 50CA Spray Gun Tips*



INSTALLATION INSTRUCTIONS:

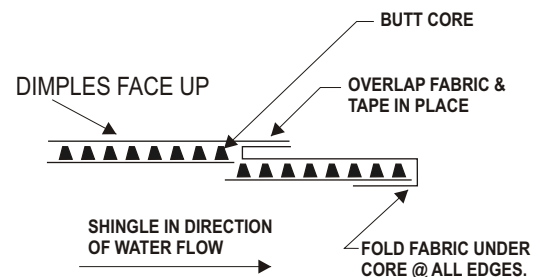
UNROLLING PANELS Starting along edge of horizontal area, unroll panel while folding fabric over edge adjacent to starting edge. On sloped surfaces, unroll in direction of slope. **Filter fabric faces top side.** Adjacent panels should be unrolled and splices should be performed as shown in **Splicing Detail.**

EDGES All factory edges and/or cut edges must be covered with filter fabric to prevent intrusion of cover material (soil, sand, concrete, etc.)

ADHESIVE Recommend J-Spray for seams and to attachment to substrate. General construction adhesives approved by waterproofing manufacturer are also acceptable.

EXPOSURE Do not leave exposed to intensive sunlight for extended periods of time (30 - 60 days)

SPLICING DETAIL



Physical Properties

Core

Thickness	0.125"
Width	48"
Length	100'
Compression	15,000 psf
Flow Rate	7 gal/min/ft

Fabric

Grab Tensile	100 lbs.
AOS	70 U.S. Sieve
Puncture	65 lbs.
Flow Rate	140 gal/min/ft ²

The information contained herein is believed by JDR Enterprises, Inc. to be accurate and is offered solely for the customer's consideration, investigation and verification. Determination of suitability for use is the responsibility of the user. JDR's Limitations, Limited Warranty, & Disclaimer along with Standard Terms & Conditions apply. See www.j-drain.com for more info. **Limitations:** J-DRain is resistant to chemicals in normal soil environments. However, some reagents may affect the performance of J-DRain. A JDR representative should be contacted for further information to determine the suitability of use of J-DRain in unusual soil environments. J-DRain should be limited to its exposure to ultra-violet sunlight. J-DRain should be backfilled or covered within seven days of installation. **Disclaimer:** All information, drawings and specifications are based on the latest published information at the time of printing. JDR reserves the right to make changes due to manufacturing improvements and engineering at any time. All physical properties are minimum average roll values (MARV). Standard variations of 10% in mechanical properties and 15% in hydraulic properties are normal.

info@j-drain.com

www.j-drain.com

JDR Enterprises, Inc.

292 S. Main St., Suite 200 Alpharetta, GA 30009
 (800) 843-7569 (770) 442-1461 Fax: (770) 664-7951